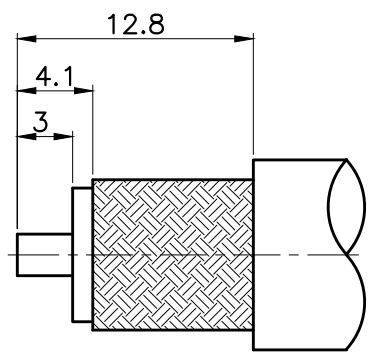
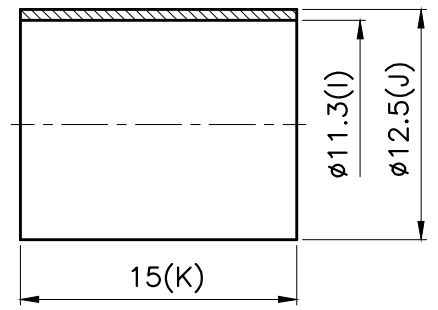
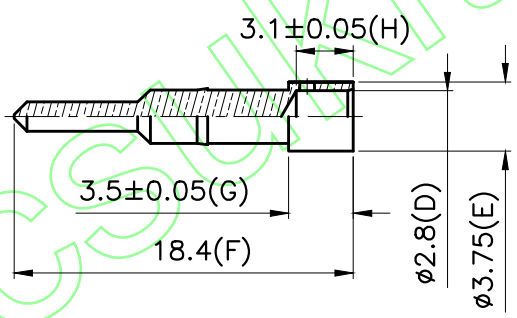
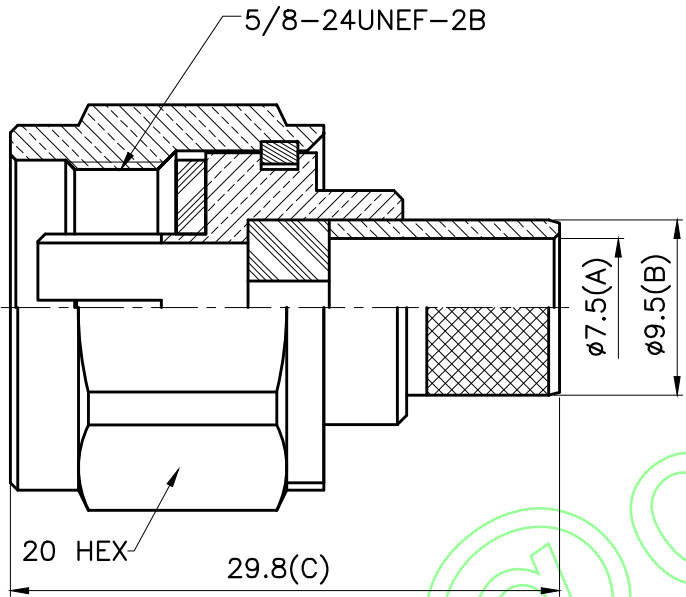


REVISIONS	
ISS	DESCRIPTION \ DATE

RoHS COMPLIANT



CABLE STRIPPING DIM'S



1. CRIMPED FERRULE
HEX CRIMP SIZE .429"
2. CRIMPED CONTACT PIN
HEX CRIMP SIZE .128" OR SOLDER



TITLE: N MALE CRIMP
(FOR LMR400, RA519, RG8)
PART NO: NPCR519HEX
DRAWING NO:

APRD:	UNLESS OTHERWISE SPECIFIED TOLERANCES 0.5-6 = ±0.2 >6-30 = ±0.4 >30-120 = ±0.6 >120-315 = ±1 >315-1000 = ±1.6 ANGLES = ±5°
CHKD:	
DR:	
DATE: 04/03/19"	UNIT: mm
	SCALE: 2.5/1

FERRULE	BRASS	NICKEL
CONTACT PIN	BRASS	GOLD
SHELL	BRASS	NICKEL
RING	BRASS	NONE
GASKET	RUBBER	RED
BRAID HOLDER	BRASS	NICKEL
INSULATOR	TEFLON	WHITE
BODY	BRASS	NICKEL
NO. DESCRIPTION	MATERIAL	FINISH